



Lifta angolare – destro o sinistro

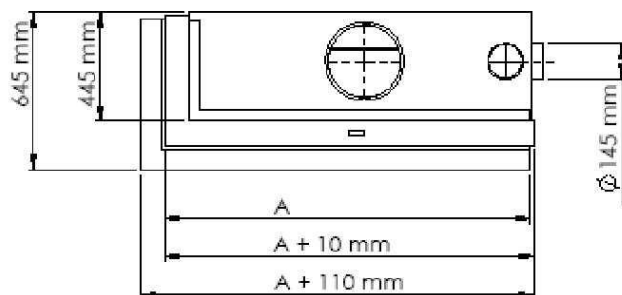
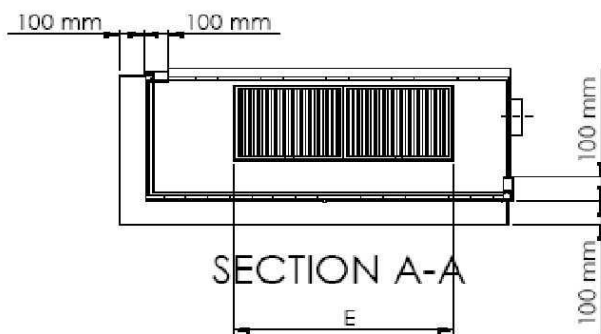
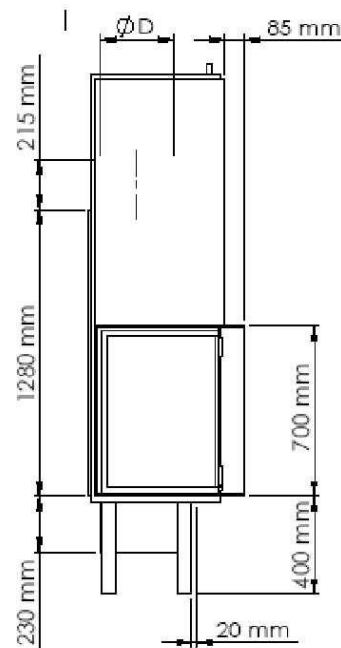
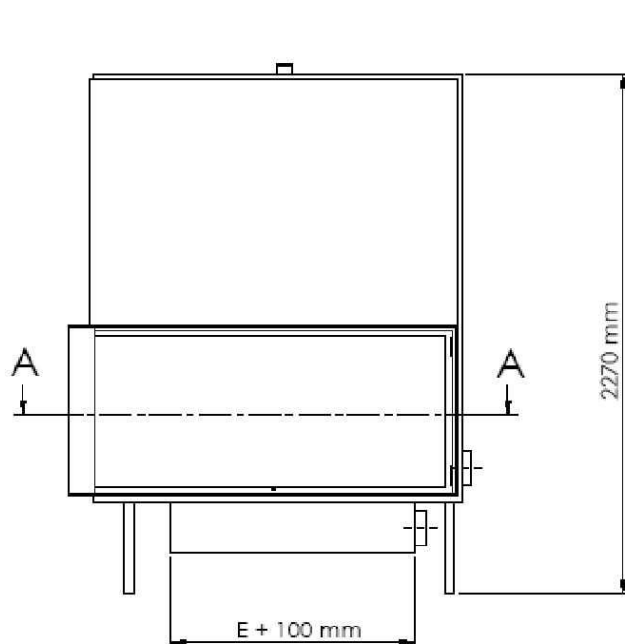
Cornice da 10 cm - bocca fuoco alta 70

L
I
F
T
A

R
o
r
L

70

K10



Order no. L or R	A (mm)	D (mm)	E (mm)	O (mm)	Consumption air m ³ /h	Weight Kg
LI 1 L/R 70 K10	800	300	600	200	605	~ 340
LI 2 L/R 70 K10	900	350	600	200	655	~ 365
LI 3 L/R 70 K10	1000	350	600	200	706	~ 390
LI 4 L/R 70 K10	1250	400	800	200	832	~ 455
LI 5 L/R 70 K10	1500	400	900	200	958	~ 520
LI 6 L/R 70 K10	1750	400	1000	200	1085	~ 585
LI 7 L/R 70 K10	2000	400	1000	200	1210	~ 665