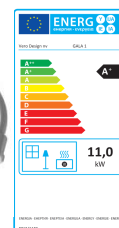
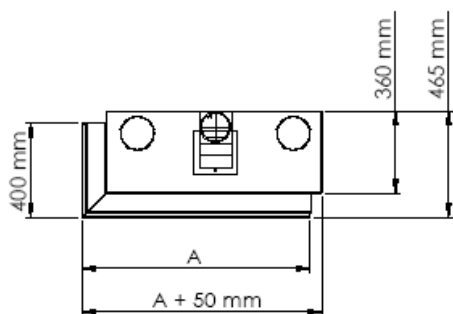
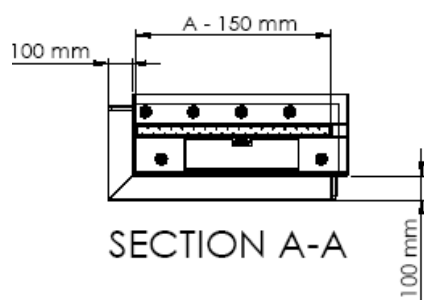
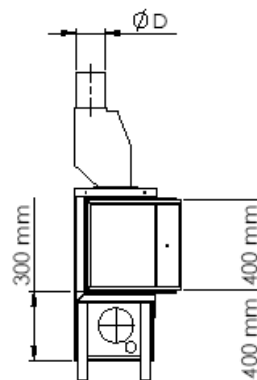
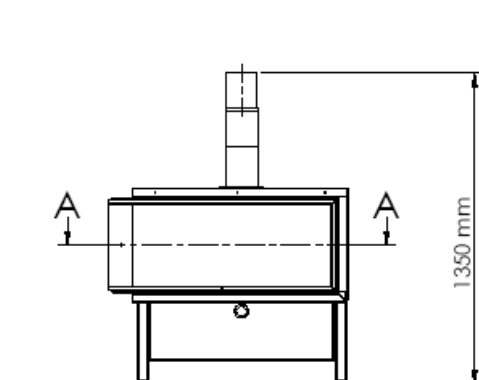


## Dati tecnici Versione angolare



Order no..	A (mm)	D (mm)	O (mm)	Gas Ø (mm)	Weight Kg	consumption m <sup>3</sup> /h natural gas	Gas °C	kW
<b>GALA 1 H</b>	800	130	150	15 mm	~120	0.85	155°C	5.0 – 11.0
<b>GALA 2 H</b>	900	130	150	15 mm	~130	1.00	180°C	5.0 – 13.0
<b>GALA 3 H</b>	1000	130	150	18 mm	~140	1.15	210°C	6.5 – 15.6
<b>GALA 4 H</b>	1250	130	150	18 mm	~160	1.40	223°C	6.5 – 17.0
<b>GALA 5 H</b>	1500	150	200	22 mm	~170	1.70	292°C	7.0 – 17.8
<b>GALA 6 H</b>	1750	180	200	22 mm	~190	2.00	360°C	8.4 – 19.0
<b>GALA 7 H</b>	2000	180	200	22 mm	~210	2.30	420°C	8.5 – 20.0
<b>GALA 8 H</b>	2500	200	200	22 mm	~240	2.50	430°C	9.0 – 23.0