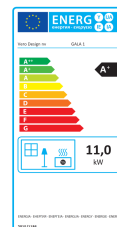
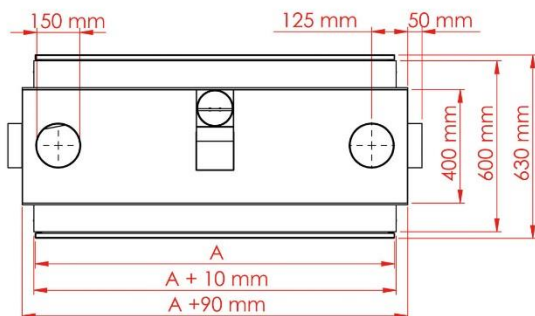
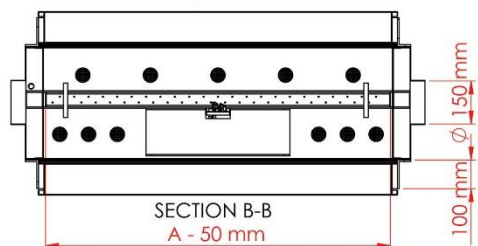
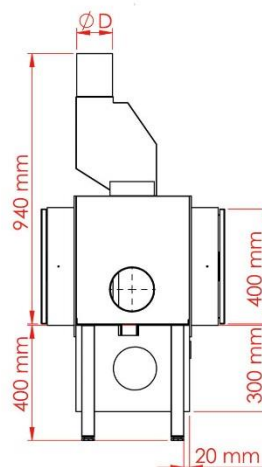
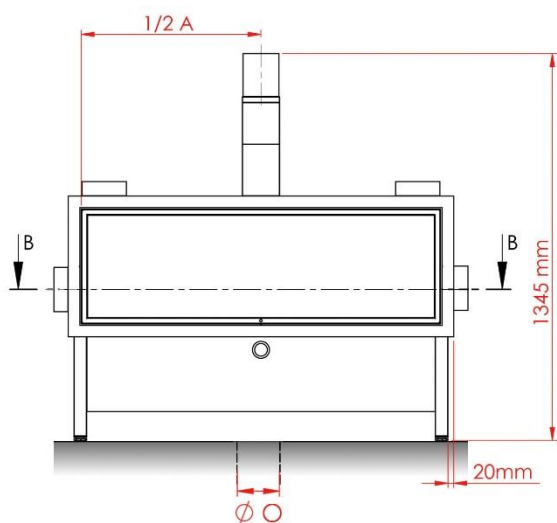


Dati tecnici Versione bifacciale



Order no.	A (mm)	D (mm)	O (mm)	Gas ϕ (mm)	Weight Kg	consumption m ³ /h natural gas	Gas °C	kW
GALA 1D	800	130	150	15 mm	~120	0.85	155°C	5.0 – 11.0
GALA 2D	900	130	150	15 mm	~130	1.00	180°C	5.0 – 13.0
GALA 3D	1000	130	150	18 mm	~140	1.15	210°C	6.5 – 15.6
GALA 4D	1250	130	150	18 mm	~160	1.40	223°C	6.5 – 17.0
GALA 5D	1500	150	200	22 mm	~170	1.70	292°C	7.0 – 17.8
GALA 6D	1750	180	200	22 mm	~190	2.00	360°C	8.4 – 19.0
GALA 7D	2000	180	200	22 mm	~210	2.30	420°C	8.5 – 20.0
GALA 8D	2500	200	200	22 mm	~280	2.50	430°C	9.0 – 23.0