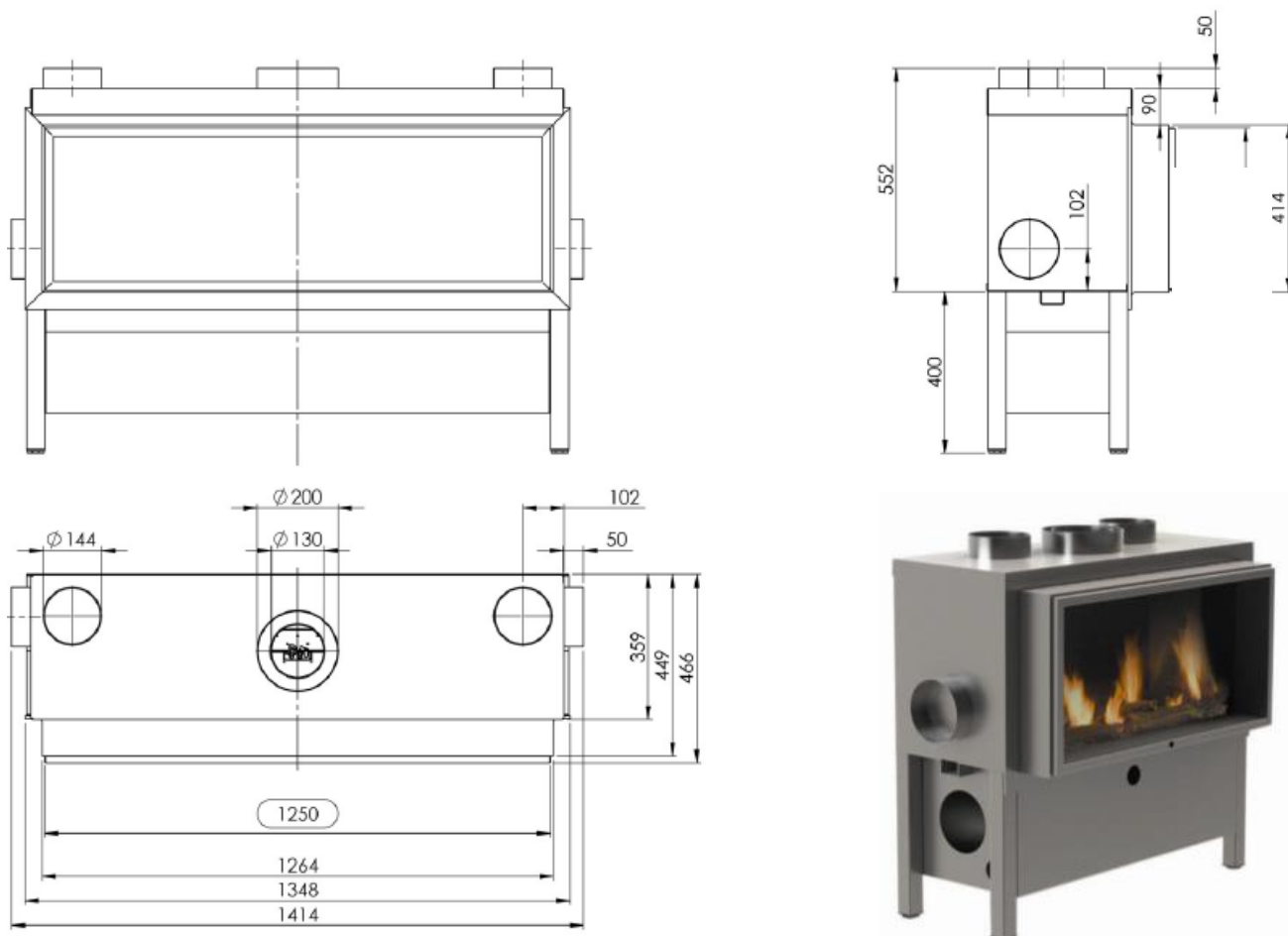


Dati tecnici Versione frontale



Order no.	A (mm)	D (mm)	Gas Ø (mm)	Weight Kg	consumption m ³ /h natural gas	Gas °C	kW
GALA 1F	800	130 / 200	15 mm	~120	0.85	155°C	5.0 – 11.0
GALA 2F	900	130 / 200	15 mm	~130	1.00	180°C	5.0 – 13.0
GALA 3F	1000	130 / 200	18 mm	~140	1.15	210°C	6.5 – 15.6
GALA 4F	1250	130 / 200	18 mm	~160	1.40	223°C	6.5 – 17.0
GALA 5F	1500	130 / 200	22 mm	~170	1.70	292°C	7.0 – 17.8
GALA 6F	1750	180 / 250	22 mm	~190	2.00	360°C	8.4 – 19.0
GALA 7F	2000	180 / 250	22 mm	~210	2.30	420°C	8.5 – 20.0
GALA 8F	2500	180 / 250	22 mm	~240	2.50	430°C	9.0 – 23.0

