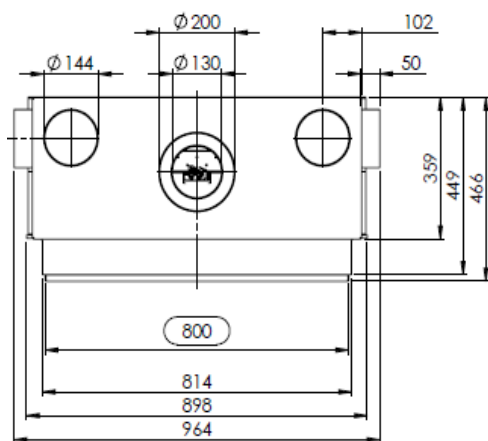
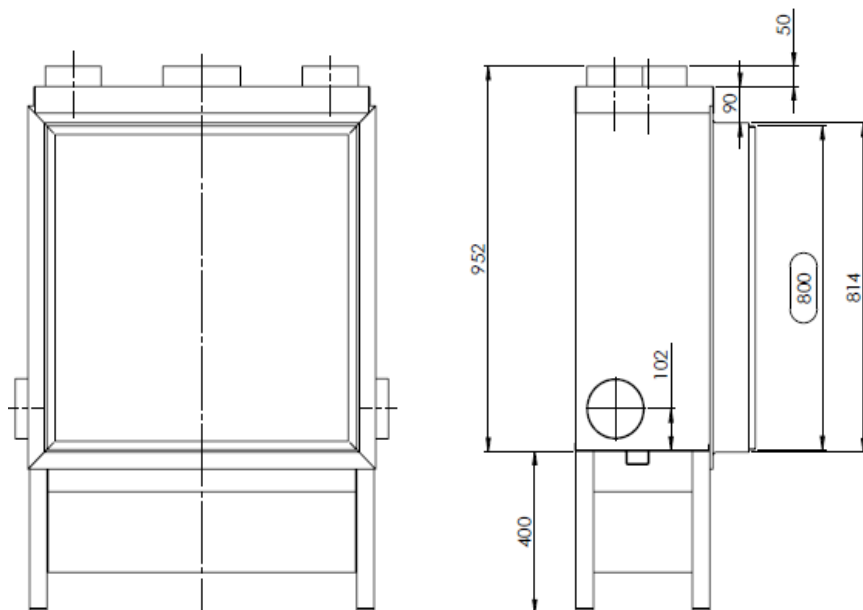


# Dati tecnici Gala Quadro frontale



code	A (mm)	D (mm)	Gas Ø (mm)	Kg	Gas m <sup>3</sup> /h	°C	kW
<b>GALA 70 F</b>	700	130 / 200	15	~110	0.73	220°C	5.0 – 11.0
<b>GALA 80 F</b>	800	130 / 200	15	~125	0.80	230°C	5.0 – 13.0
<b>GALA 90 F</b>	900	130 / 200	18	~140	0.85	238°C	6.5 – 15.6

