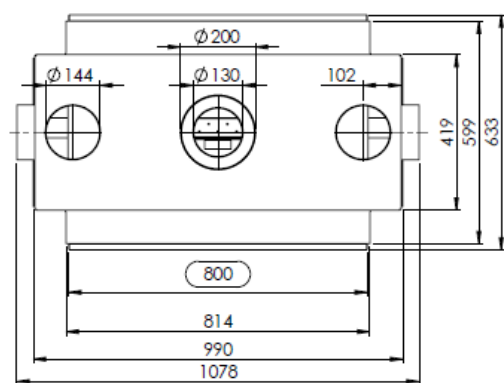
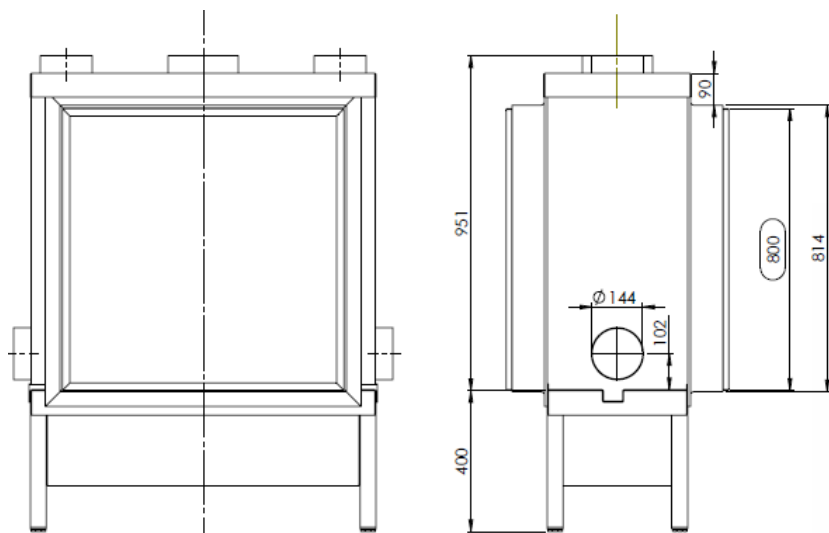


Dati tecnici Gala Quadro bifacciale



| code | A (mm) | D (mm) | Gas Ø (mm) | Kg | Gas m³/h | °C | kW |
|------------------|--------|-----------|------------|------|----------|-------|------------|
| GALA 70 D | 700 | 130 / 200 | 15 | ~110 | 0.73 | 220°C | 5.0 – 11.0 |
| GALA 80 D | 800 | 130 / 200 | 15 | ~125 | 0.80 | 230°C | 5.0 – 13.0 |
| GALA 90 D | 900 | 130 / 200 | 18 | ~140 | 0.85 | 238°C | 6.5 – 15.6 |

