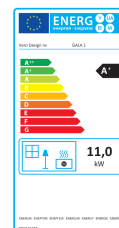
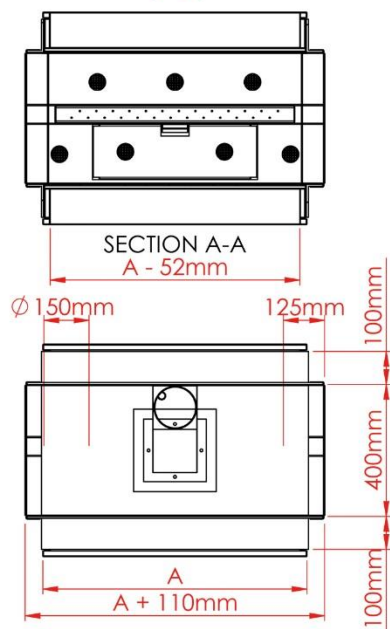
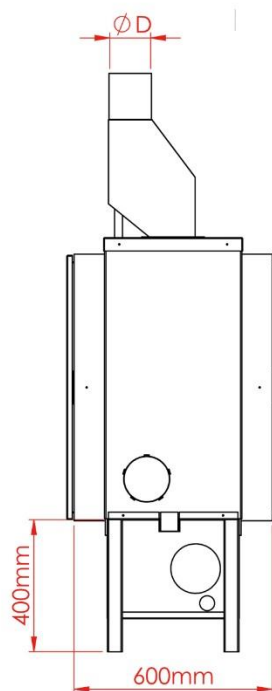
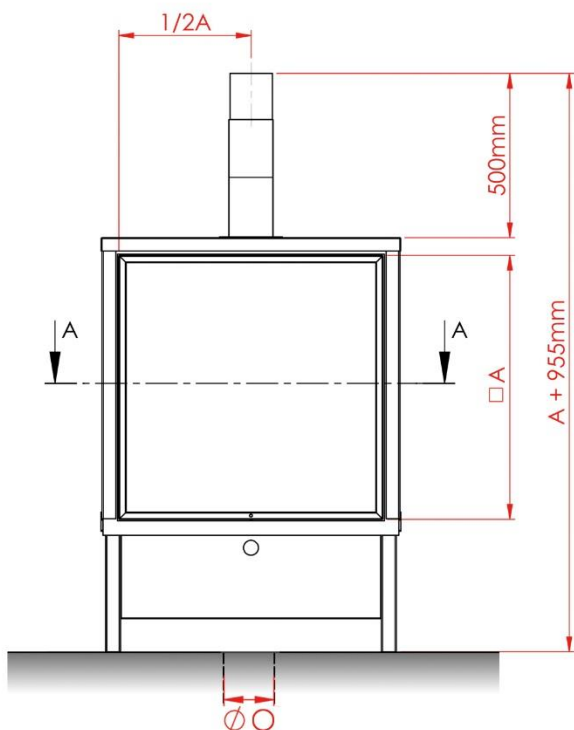


# Dati tecnici Gala Quadro bifacciale



code	A (mm)	D (mm)	Gas Ø (mm)	Kg	Gas m³/h	°C	kW
<b>GALA 70 D</b>	700	130	15	~110	0.73	220°C	5.0 – 11.0
<b>GALA 80 D</b>	800	130	15	~125	0.80	230°C	5.0 – 13.0
<b>GALA 90 D</b>	900	130	18	~140	0.85	238°C	6.5 – 15.6