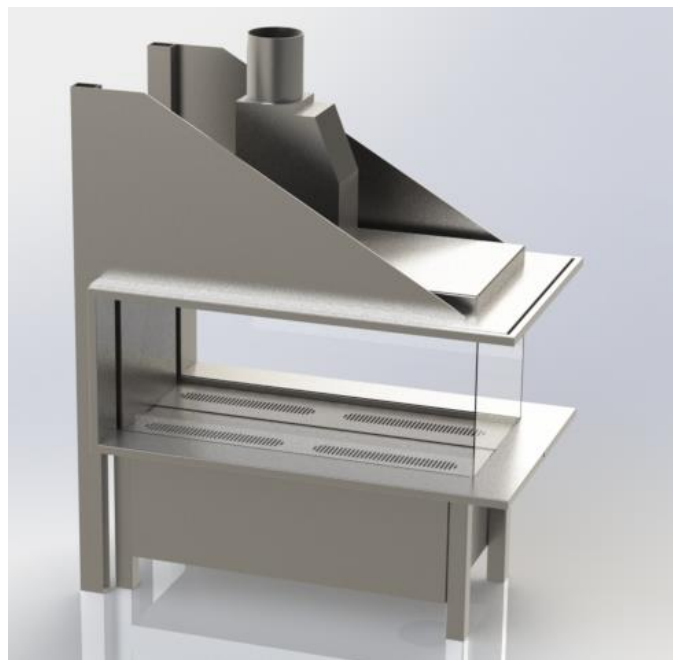
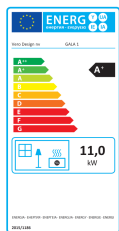
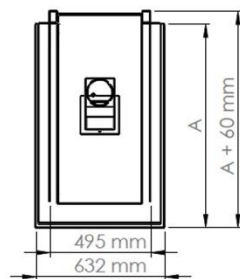
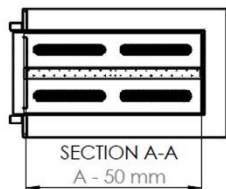
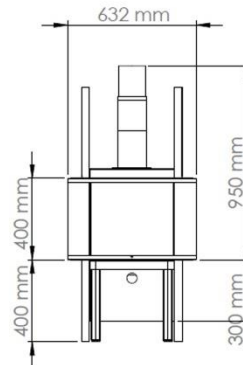
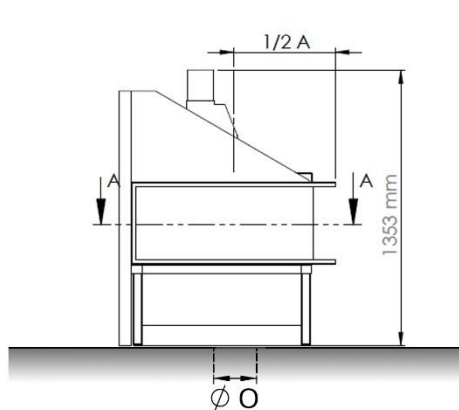


Dati tecnici

Versione trifacciale



Order no.	A (mm)	D (mm)	O (mm)	Gas \varnothing (mm)	Weight Kg	consumption m^3/h natural gas	Gas $^{\circ}\text{C}$	kW
GALA 1 H3	800	130	150	15 mm	~120	0.85	155 $^{\circ}\text{C}$	5.0 – 11.0
GALA 2 H3	900	130	150	15 mm	~130	1.00	180 $^{\circ}\text{C}$	5.0 – 13.0
GALA 3 H3	1000	130	150	18 mm	~140	1.15	210 $^{\circ}\text{C}$	6.5 – 15.6
GALA 4 H3	1250	130	150	18 mm	~160	1.40	223 $^{\circ}\text{C}$	6.5 – 17.0
GALA 5 H3	1500	150	200	22 mm	~170	1.70	292 $^{\circ}\text{C}$	7.0 – 17.8
GALA 6 H3	1750	180	200	22 mm	~190	2.00	360 $^{\circ}\text{C}$	8.4 – 19.0
GALA 7 H3	2000	180	200	22 mm	~210	2.30	420 $^{\circ}\text{C}$	8.5 – 20.0
GALA 8 H3	2500	200	200	22 mm	~240	2.50	430 $^{\circ}\text{C}$	9.0 – 23.0